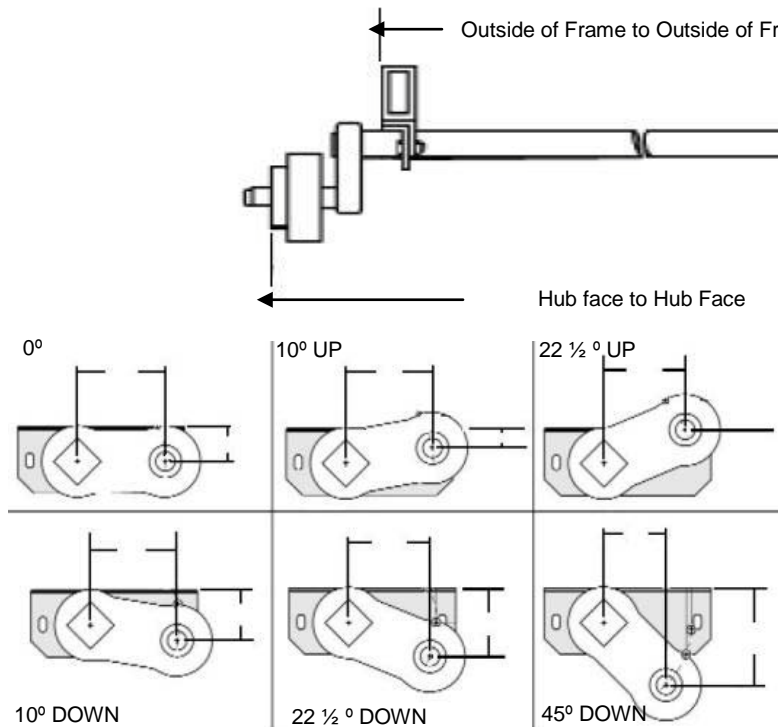


Measuring for Replacement Torflex Axles



Determine where the center of the spindle is in relationship to the bottom of the main frame to help determine closest articulation angle.

Date: _____

PO# _____

Customer Name: _____ Contact _____

Telephone: _____ Fax: _____

Capacity (2000LB, 3500LB, 6000LB, 7000LB, etc) _____

Lube Type _____

(Grease, EZ or Nev-r- lube Oil Bath)

Bolt Pattern (4 Bolt, 5 Bolt*, 6 Bolt, 8 Bolt) _____

Stud Size _____

(1/2", 9/16" Etc)

Hub face to Hub face _____

Quantity _____

Brake Type _____

(Idler, Electric, Hydraulic, Hydraulic Free Backing, Etc)

Outside Frame to Outside of Frame _____

Articulation Angle _____

(0, 10 Up, 22 1/2 Up, 10 Down, 22 1/2 Down, 45 Down)

Other Information _____

***Please Note**

Standard 5 bolt pattern on trailer axles is **5 on 4 1/2"** bolt circle.

There are also:

5 on 4 3/4

5 on 5

5 on 5 1/2

Please ensure you order the correct 5 bolt pattern.

Fax Completed Form to 780-645-6506 or email to parts@trailercanada.com